

TECHNICAL DATA

Max Length Twin Mast	35,4 m	Max Length Single Mast	16,2 m
Max Payload Twin Mast	11460 Kg	Max Payload Single Mast	5900 Kg
Motors Power Twin Mast	2 x 3 x 3.7 Kw	Motors Power Single Mast	3 x 3.7 Kw
Speed	9 m / min	Motors per drive unit	3
Platform deck width	1,5 m	Standard wall extensions	1,2 m (longer available on request) (*)
Wall Ties Distance	9 m / min	Free Standing Height	12 m - (18 m with Free Standing chassis)
Mast element weight	108 Kg	Mast element dim. (mm)	560 x 560 x 1483
Max working height	200 m	Power Supply	400 V - 50 Hz - Threephase (*)

SAFETY FEATURES

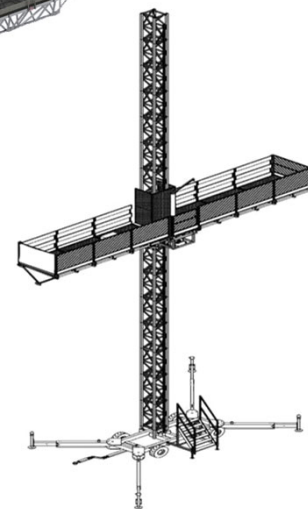
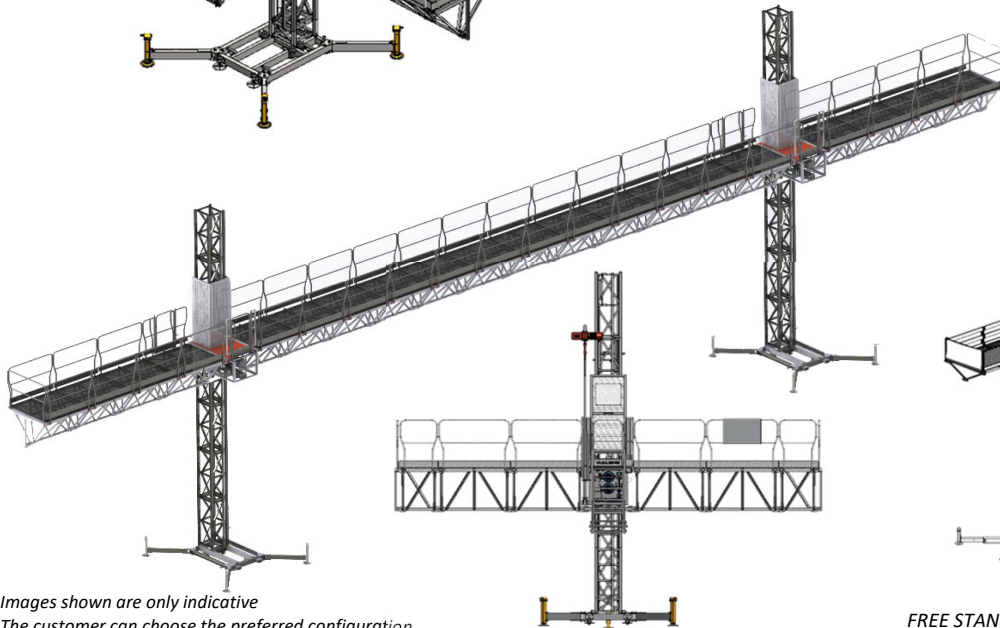
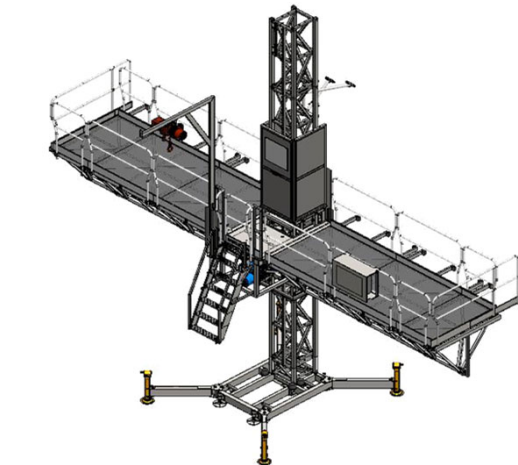
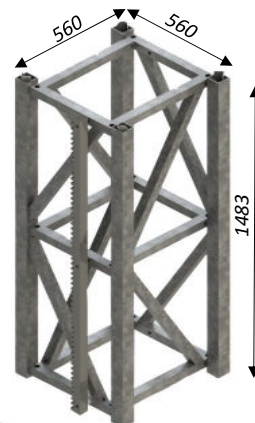
- First class geared motors self braking type
- Centrifugal emergency brake for each geared-motor with automatic activation in case of overspeed
- Device for manual descent in case of power failure
- Castor wheels on the base for easy placement
- Mast protection nets
- Low voltage Electrical panel
- Detection of correct phase
- Limit switch checking mast element presence
- Emergency push button
- Sound alarm when platform moving
- Automatic levelling device in twin mast configuration checked by double limit switch
- Erection left / right drive unit stop
- Levelling Jacks and Rubber shock absorbers included in the base
- Rack interrupted on the terminal mast element to avoid overrun
- 220 V socket on board for tools
- Changing phase device
- Limit switch for doors, up, down, overrun and Emergency
- Double Limit switch up / down / levelling

The Manufacturer reserves the right to change any of the data without notice

NOTES: (*) Other values on request - (**) Optional

Mast section compatible with:

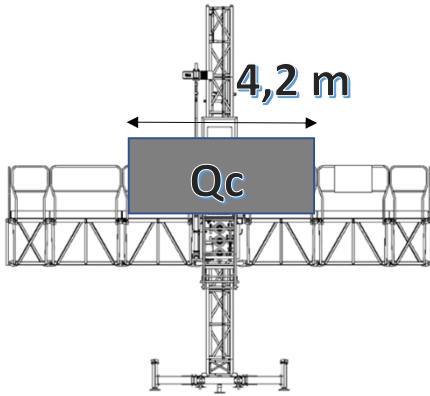
- E20 P&M Hoist
- E20 TC Twin Cage P&M Hoist
- PH20 Transp.Platform
- PH20 PLA Twin Mast Transp.Plat.
- PH20 TC Twin Cage Transp.Plat.
- H20 Material Hoist
- H20 TC Twin Cage Material Hoist



Images shown are only indicative
The customer can choose the preferred configuration

FREE STANDING 18 m H VERSION

P45 S : SINGLE MAST - LOAD DISTRIBUTION - 3 x 3,7 kw						
Total Length		4,2 m	7,2 m	10,2 m	13,2 m	16,2 m
num. of Left decks		1	2	3	4	5
num. of Right decks		1	2	3	4	5
Qc	[Kg]	5900	5400	5000	4700	4000
Qd	[Kg]	5900	4000	2600	2100	1600



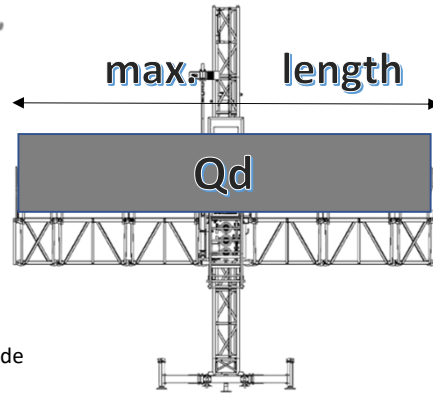
Single Mast

5900 Kg

Max payload

Qc : Concentrated load
Area : Drive unit + 1 deck each side

Qd : Evenly distributed load
Area : all along the platform



Qc = Concentrated Load
including  (240 Kg)

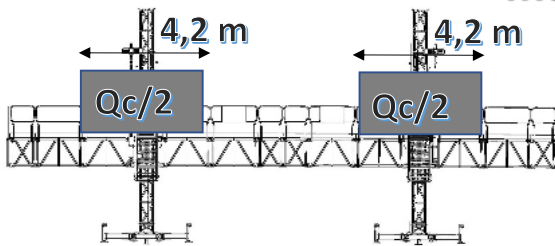
Qd = Evenly distributed load
including  (240 Kg)


P45s TWIN MAST - LOAD DISTRIBUTION											
Total Length		8,4 m	12,9 m	17,4 m	20,4 m	24,9 m	26,4 m	27,9 m	30,9 m	33,9 m	35,4 m
num. of decks each wing		1	1	2	2	3	3	3	4	4	4
num. of decks between masts		2	5	6	8	9	10	11	11	13	14
Qc	[Kg]	11460	10700	10000	9540	8820	8580	8340	7860	7370	7130
Qd	[Kg]	11460	8970	6100	5890	4400	3340	2850	2430	2190	2070

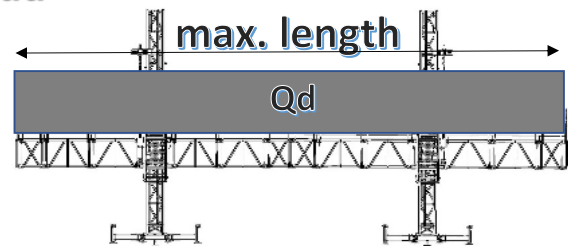
Twin Mast

11460 Kg

Max payload



Qc = Concentrated Load
including  (600 Kg)



Qd = Evenly distributed load
including  (600 Kg)

